

4

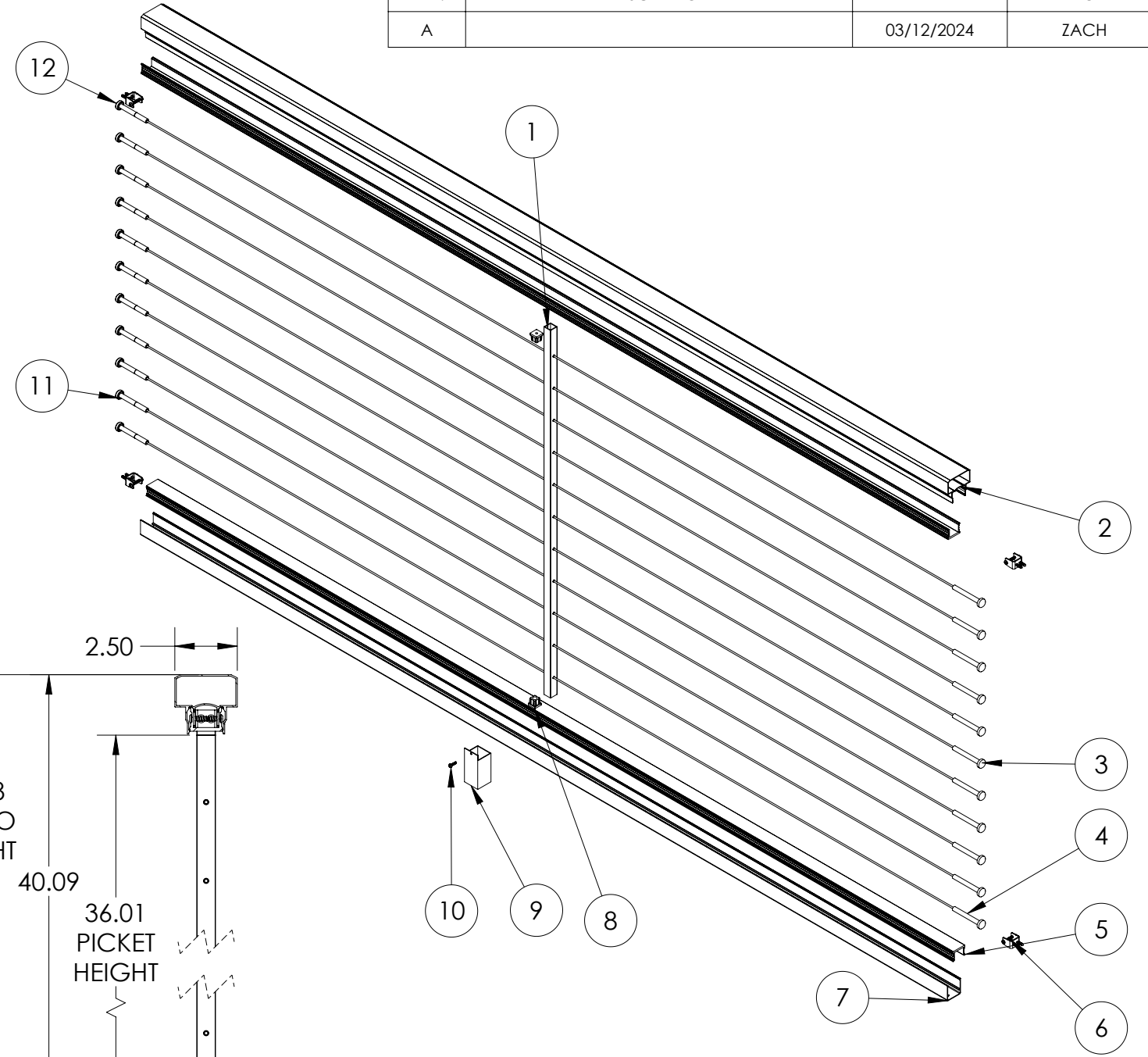
3

2

1

ITEM NO.	PART NUMBER	DESCRIPTION	QTY.
1	NP063500	HORIZONTAL CABLE PICKET	1
2	BR093100	METRO TOP RAIL	1
3	CR004100	STAINLESS STEEL CABLE	11
4	CR004002	1/8" T-316 THREADED STUD RECEIVER	11
5	NC063100	H-CHANNEL DECK	2
6	CL09410	STRAIGHT CLIP KIT	4
7	SH093108	BOTTOM SNAP 8FT	1
8	CR004301	POINTE PLATE	2
9	SL09402	SUPPORT LEG	1
10	ST09934	#8 X .75" TEK SCREW COLOR CODED	1
11	CR004001	1/8" T-316 Cable Receiver	11
12	CR025001	T-316 Bright Polished Fast Fitting Dome Cap	22

REVISIONS - BALLOONS DENOTE CHANGES			
REV.	DESCRIPTION	DATE	APPROVED
A		03/12/2024	ZACH

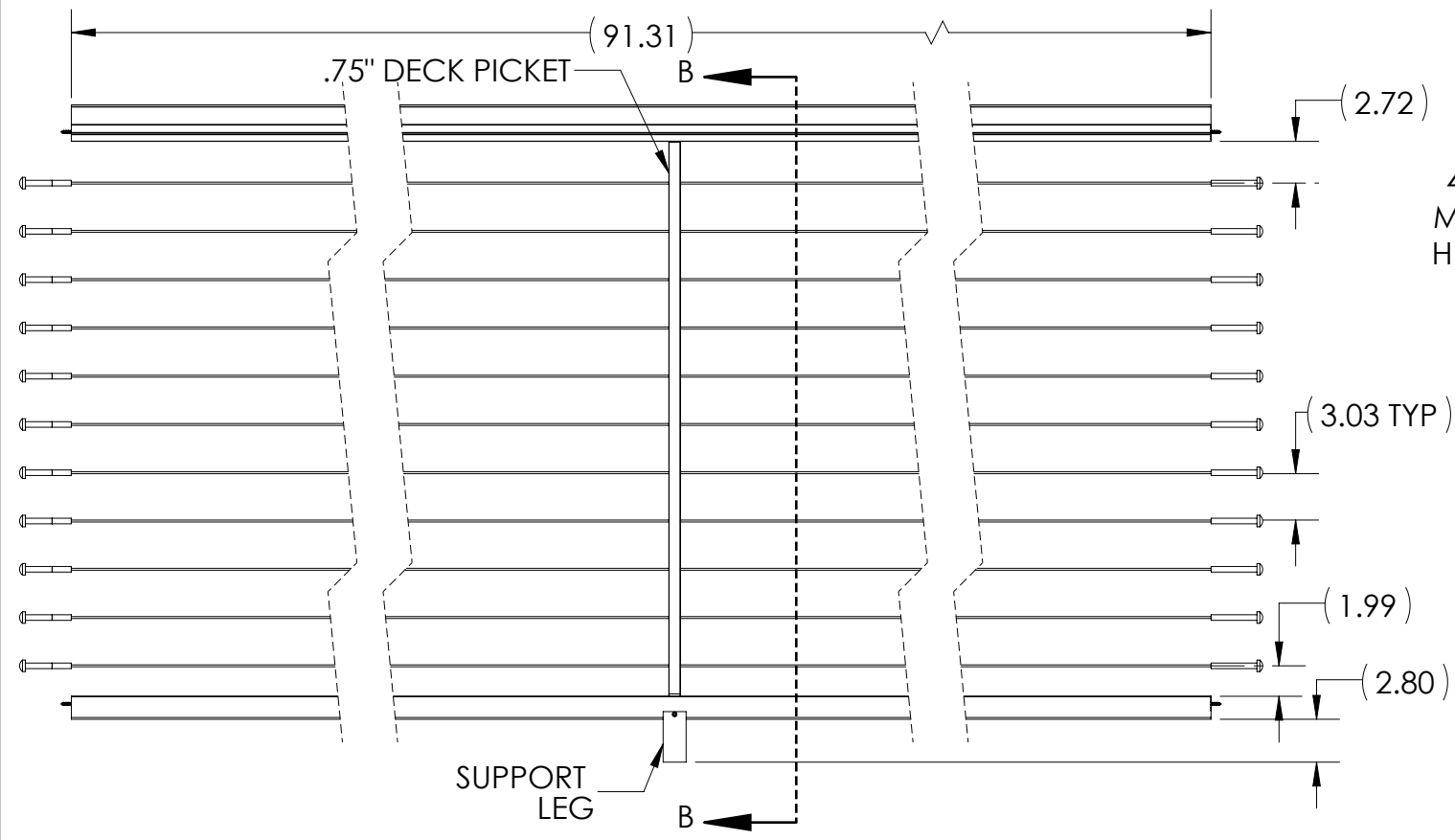


B

B

A

A



UNLESS OTHERWISE SPECIFIED:		NAME	DATE
DIMENSIONS ARE IN INCHES		DRAWN	VINH 03/12/24
TOLERANCES:		CHECKED	
SURFACE FINISH: 125 RMS		ENG APPR.	
ANGULAR: ±.5 DEG		MFG APPR.	
LINEAR: .X ±.02		INTERPRET GEOMETRIC TOLERANCING PER: ASME Y14.5-2009	
.XX ±.010		THIRD ANGLE PROJECTION:	
.XXX ±.005		MATERIAL	
FINISH		PROPRIETARY AND CONFIDENTIAL	
DO NOT SCALE DRAWING		THE INFORMATION CONTAINED IN THIS DRAWING IS THE SOLE PROPERTY OF UltraLox. ANY REPRODUCTION IN PART OR AS A WHOLE WITHOUT THE WRITTEN PERMISSION OF UltraLox.	

TITLE:			
SHOP DRAWING, METRO TOP RAIL, 8' CABLE SECTION, FULL FRAME KIT		SIZE	DWG. NO.
		<b>B</b>	
		REV	<b>A</b>
SCALE: 1:10 WEIGHT:		SHEET 1 OF 1	

4

3

2

1